

PD-LOGO-HD HD/SD-SDI Logo and Clock Generator

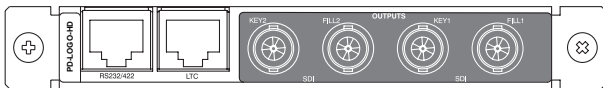
The PD-LOGO-HD is a modular HD/SD-SDI logo generator. It is used in 1RU or 2RU PANDORA platform. The module provides 4 HD/SD-SDI outputs, including 2 key and 2 fill. The internal storage has a capacity of 2 GB. Graphics in TGA format can be loaded to the storage as logo output via the platform TCP/IP port. A LTC interface is provided for time code source input/output.

The module can be controlled locally through platform front panel and remotely via PD-MASTER application.

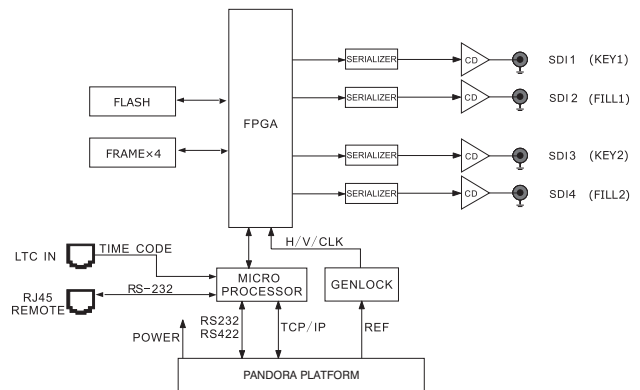
KEY FEATURES AND BENEFITS

- 10-bit processing for each pixel
- Internal high-precision interpolation algorithm
- Adjustable logo position by 1 pixel per step
- Both still and animated graphics supported
- Configurable test card and still graphic outputs
- Internal 2 GB storage
- Non-volatile memory
- Hot-swappable

BACK MODULE



BLOCK DIAGRAM



SPECIFICATIONS

Specifications are subject to change without notice.

DIGITAL VIDEO OUTPUT

Signal Format.....	SMPTE 259M SD-SDI SMPTE 292M HD-SDI
Quantization.....	10 bits
Connector.....	BNC (x4)
Impedance.....	75 Ω
Return Loss.....	>12 dB @ 5 MHz ~ 1.5 GHz
Amplitude.....	800 mVp-p ±10%
Rise/Fall Time.....	400 ~ 1500 ps, SD <270ps, HD
Overshoot.....	<10% of amplitude
Jitter.....	<0.2UI

LTC INPUT

Signal Format.....	RS-232/422
Connector.....	RJ-45

CONTROL INPUT

Signal Format.....	RS-232/422
Connector.....	RJ-45

ENVIRONMENTAL

Operating Temperature.....	32° ~ 104° F (0° ~ 40° C)
Relative Humidity.....	10% ~ 90%